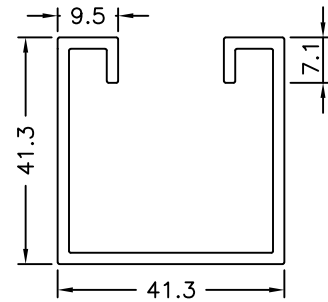
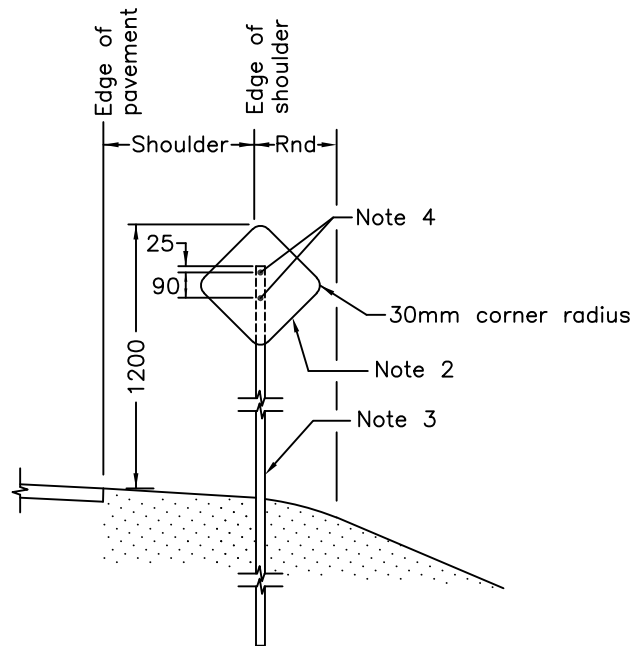


POST MOUNTED DELINEATOR
GREGORY G584 SYSTEM



SECTION A-A



POST MOUNTED DELINEATOR
TYPE B

NOTES:

- 1 Type A delineators shall be 125 x 125mm.
- 2 Type B delineators shall be 250 x 250mm.
- 3 Delineator posts shall be 25 x 25mm steel square tube post or Gregory G584 post, 2134mm in length.
- 4 Prior to galvanizing, four holes shall be drilled or punched, size No. 30, 3.2mm diameter. Delineators shall be fastened with two #10 (3/16") x 3/4" metal drilling screws.
- A All dimensions are in millimetres unless otherwise shown.

MINISTRY OF TRANSPORTATION ONTARIO DRAWING

December 2025

Rev | 1

POST MOUNTED DELINEATOR
INSTALLATION

MTOD 984.101