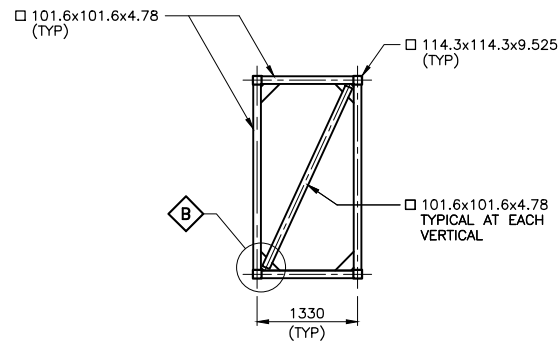
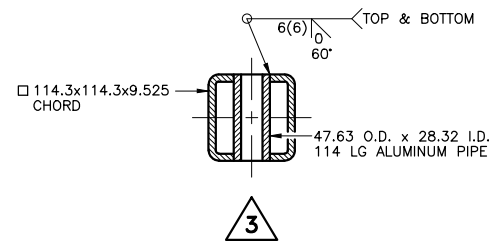


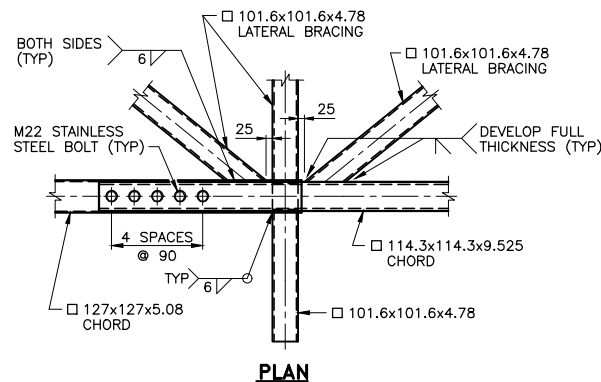
2



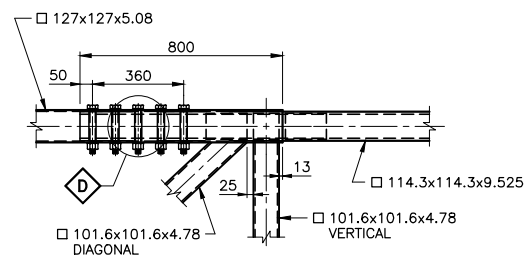
1



3



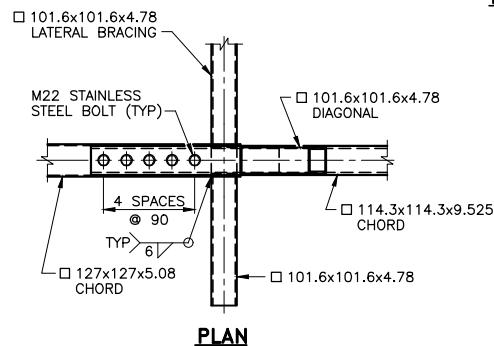
PLAN



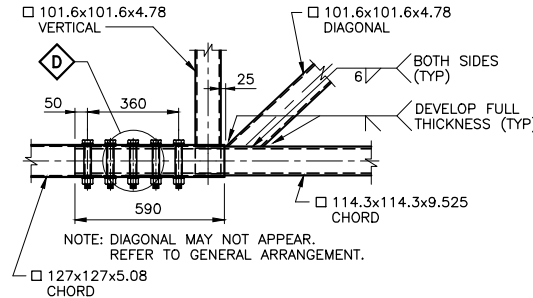
ELEVATION  
TOP CHORD

NOTE: CHORD MAY APPEAR SLOPING (FOR TYPE P-1 END COMPONENTS). REFER TO GENERAL ARRANGEMENT.

END/SIGN COMPONENT CONNECTION DETAIL (TYPICAL)

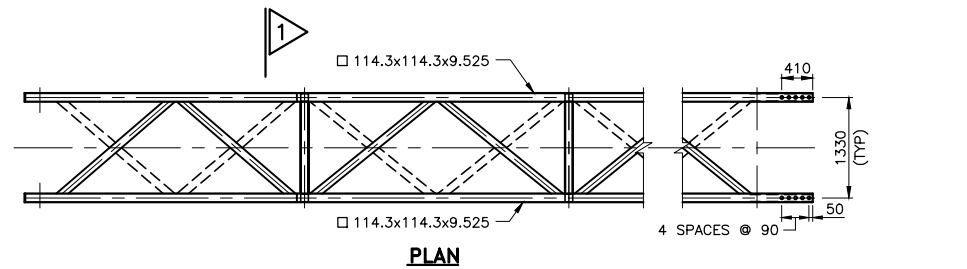


PLAN

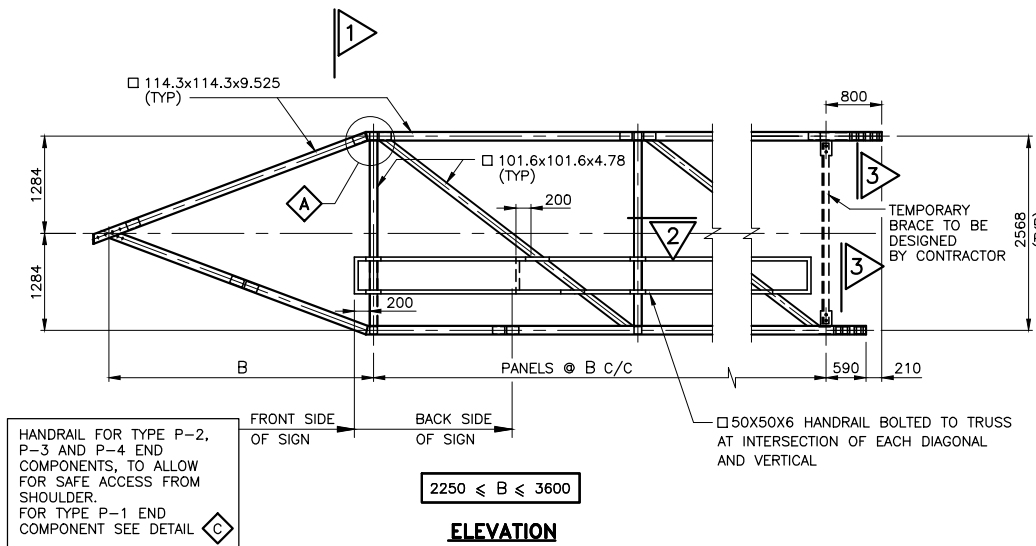


ELEVATION  
BOTTOM CHORD

NOTE: DIAGONAL MAY NOT APPEAR. REFER TO GENERAL ARRANGEMENT.



PLAN



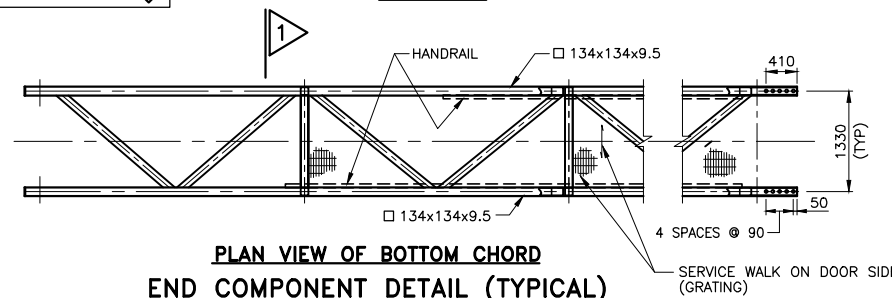
ELEVATION

HANDRAIL FOR TYPE P-2, P-3 AND P-4 END COMPONENTS, TO ALLOW FOR SAFE ACCESS FROM SHOULDER. FOR TYPE P-1 END COMPONENT SEE DETAIL C

2250 ≤ B ≤ 3600

PLAN VIEW OF BOTTOM CHORD  
END COMPONENT DETAIL (TYPICAL)

LEFT AS SHOWN  
RIGHT OPPOSITE HAND

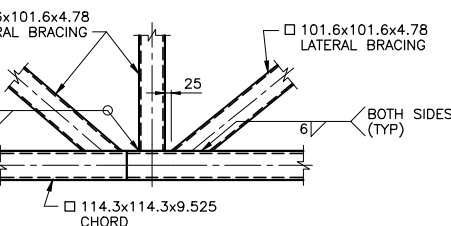


PLAN VIEW OF BOTTOM CHORD

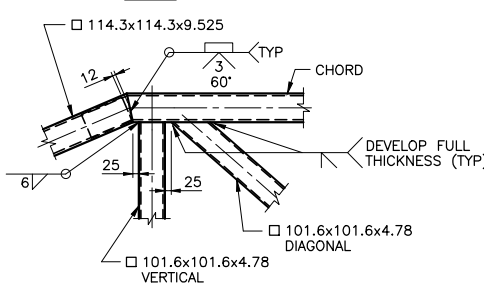
END COMPONENT DETAIL (TYPICAL)

LEFT AS SHOWN  
RIGHT OPPOSITE HAND

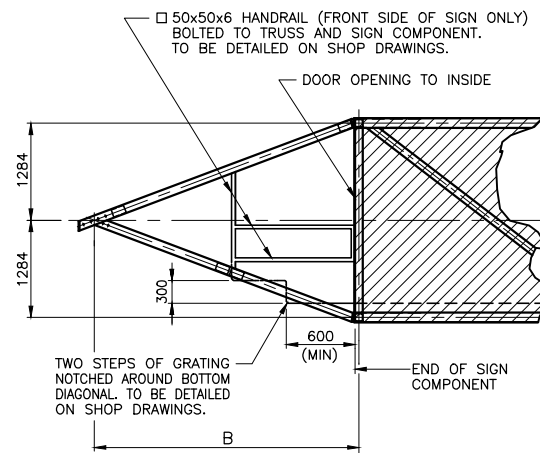
PLAN



PLAN

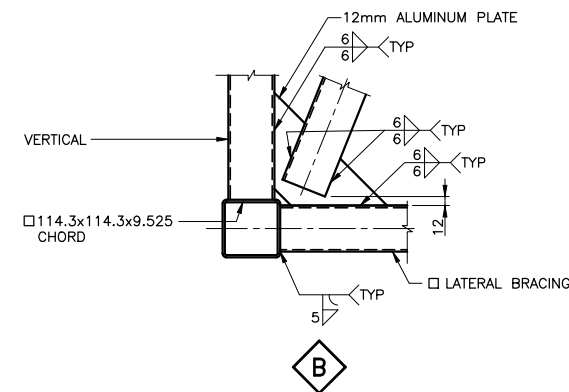


ELEVATION  
A

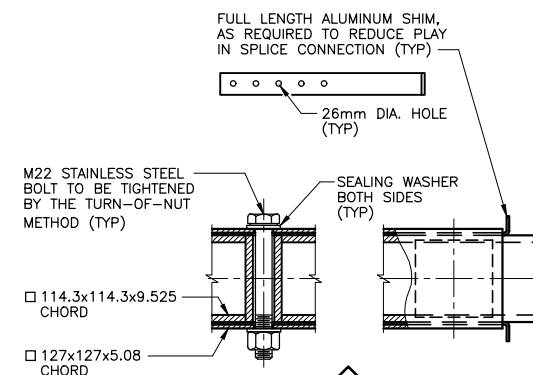


ELEVATION  
C

HANDRAIL FOR TYPE P-1 END COMPONENT TO ALLOW FOR SAFE ACCESS FROM SHOULDER.



ELEVATION  
B



ELEVATION  
D

NOTES:

- TOLERANCE SHALL BE ± 1mm UNLESS OTHERWISE SPECIFIED.
- NAMEPLATE STATING FABRICATOR'S IDENTITY AND DATE OF FABRICATION SHALL BE ATTACHED FACING INWARD TO BOTH MAIN CHORDS DIAGONALLY OPPOSITE.
- THIS STANDARD TO BE READ IN CONJUNCTION WITH SS118-120 (VMS - GENERAL ARRANGEMENT), SS118-122 (VMS - SIGN COMPONENT - DETAILS), AND SS118-123 (VARIABLE MESSAGE TRILLIUM SIGN TAB).
- NO SHOP SPLICES IN ANY MEMBER.
- LEGEND: □ - DENOTES ALUMINUM SQUARE TUBE

REFER TO THE SIGN SUPPORT MANUAL FOR PROFESSIONAL ENGINEER STAMPING REQUIREMENTS.

STANDARD DRAWING OCTOBER 31, 2024 SS118-121

MID-SIZE VARIABLE MESSAGE SIGN (VMS) SUPPORT STRUCTURE END COMPONENT DETAILS

REVISIONS	DATE	BY	DESCRIPTION
DESIGN	-	CHK	-
DRAWN	-	CHK	-