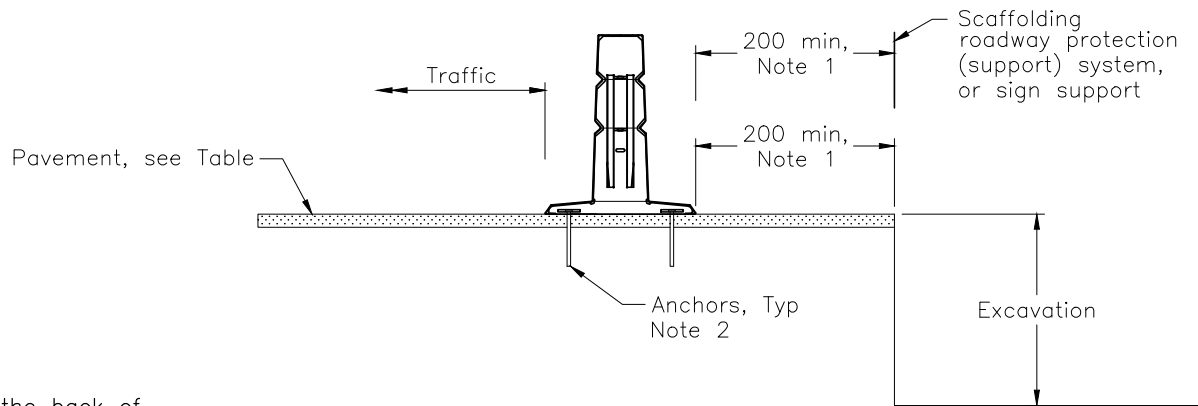


Surface	Surface Thickness Requirements	Anchors	Minimum Embedment
Asphalt over compacted granular	90 mm min	Road Loc M24 450 mm	450 mm



END VIEW

NOTES:

- 1 When the level area between the back of the barrier and the upper edge of an excavation is less than one metre, use of this standard requires the Owner to have a signed and sealed memorandum from an Engineer for each installation used during construction according to Ontario Regulation 213/91.
 - 2 Anchors shall be according to the manufacturer's specifications and installed to a minimum embedment in Table.
- A MTOD shall be read in conjunction with MTOD 911.542.
- B System configuration meets MTO deflection category I, II, III and IV.
- C All dimensions are in millimetres unless otherwise shown.

MINISTRY OF TRANSPORTATION ONTARIO DRAWING		July 2024	Rev	0
GUIDE RAIL SYSTEM, STEEL BARRIER DEFENDER, MINIMUM DEFLECTION INSTALLATION		-----		

		MTOD – 911.543		