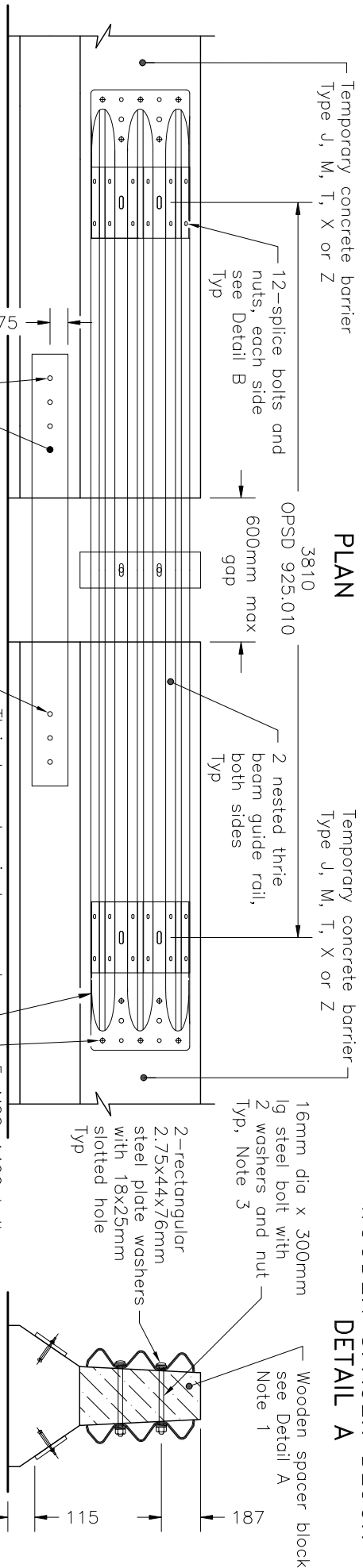


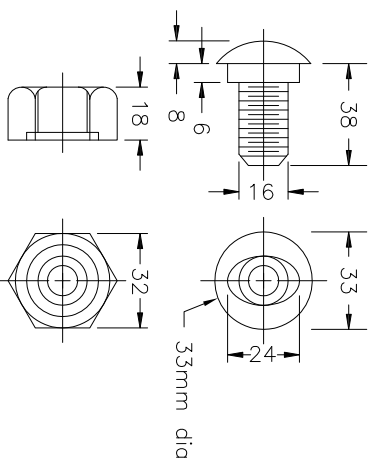
**WOODEN SPACER BLOCK
DETAIL A**



ELEVATION

NOTES:

- 1 Top and bottom of wooden spacer block cut shall match profile of adjacent temporary concrete barriers.
 - 2 Alternative Hilti HIT HY200 with 22mm diameter HAS-E rods or equivalent, 95mm minimum embedment.
 - 3 Exposed bolt or threaded rod end saw-cut flush with face of nut. Flame cutting is not permitted.
- A Minimum length of 32m of temporary concrete barrier on both sides of transition.
 B All dimensions are in millimetres unless otherwise shown.



**SPLICE BOLT AND NUT
DETAIL B**

MINISTRY OF TRANSPORTATION ONTARIO DRAWING		September 2023	Rev	3
GUIDE RAIL SYSTEM, CONCRETE BARRIER TEMPORARY CONCRETE BARRIER TRANSITION INSTALLATION – TEMPORARY				
		MTOD 911.340		