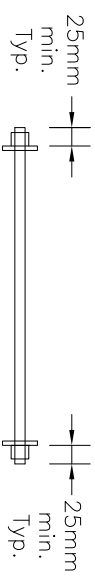
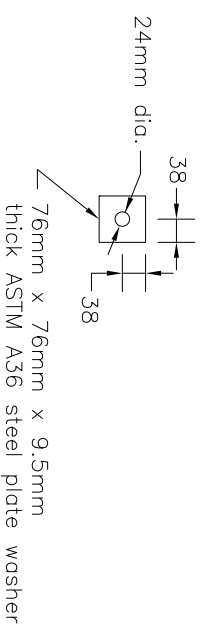


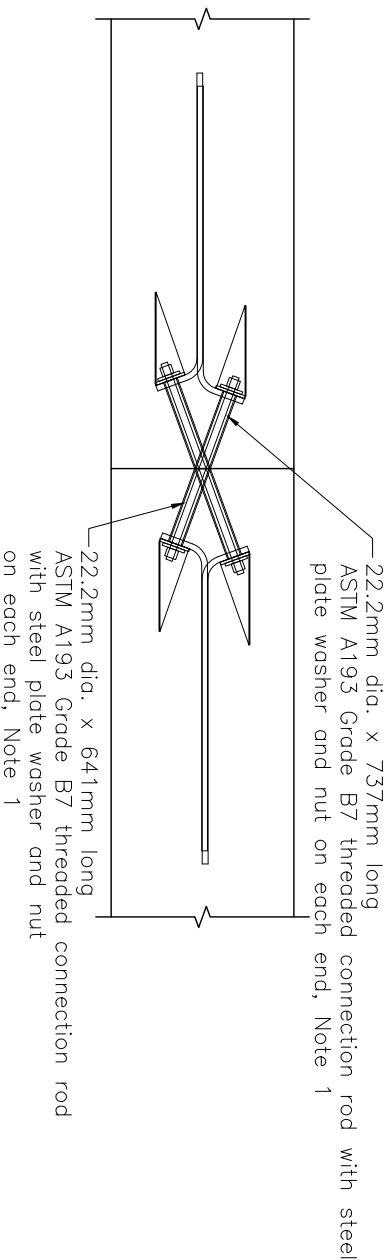
**END JOINT RECESSED  
LEAVE OUTS  
DETAIL**



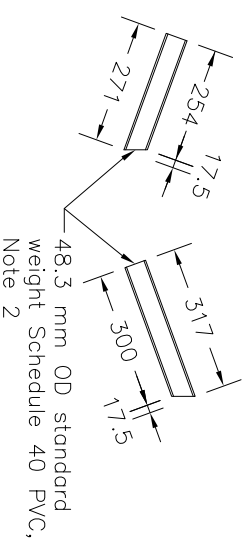
**CONNECTION ROD DETAIL**



**PLATE WASHER DETAIL**



**CONNECTION DETAIL**



**SCHEDULE 40 PVC PIPE**

**NOTES:**

1 The connection hardware shall not extend beyond the concrete face of the barrier at the leave-outs.

1 PVC pipe shall be according to ASTM D1785 or CSA B137.3.20

A Welds shall be according to

CSA W59 and CSA W186.

B Steel reinforcement shall be

Grade 400W according to

CSA G30.18 with a minimum

yield strength of 420 MPa.

C All dimensions are in millimetres

unless otherwise shown.

|  |  |                |     |   |
|--|--|----------------|-----|---|
| MINISTRY OF TRANSPORTATION ONTARIO DRAWING |  | September 2023 | Rev | 0 |
| GUIDE RAIL SYSTEM, CONCRETE BARRIER        |  | -----          |     |   |
| TYPE X CONNECTION – PVC SLEEVES            |  | -----          |     |   |
| COMPONENTS                                 |  | -----          |     |   |
| MTOD – 911.207                             |  | -----          |     |   |