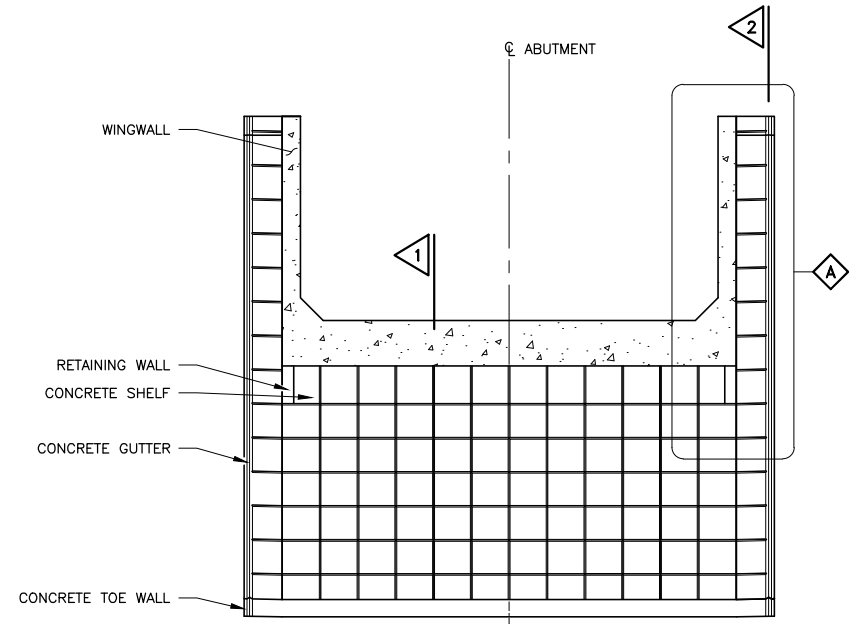


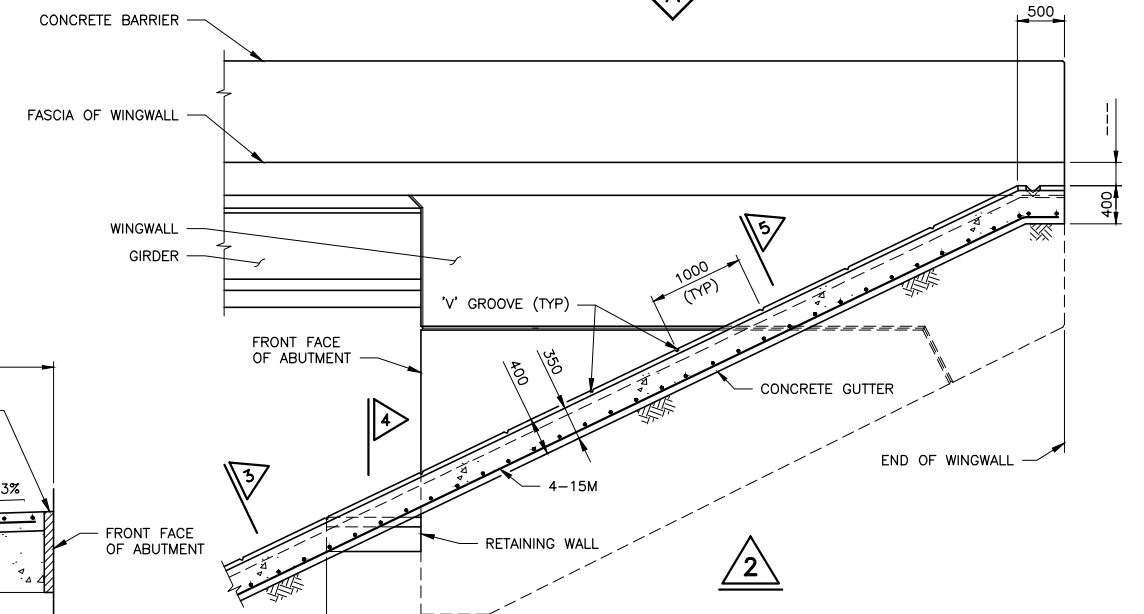
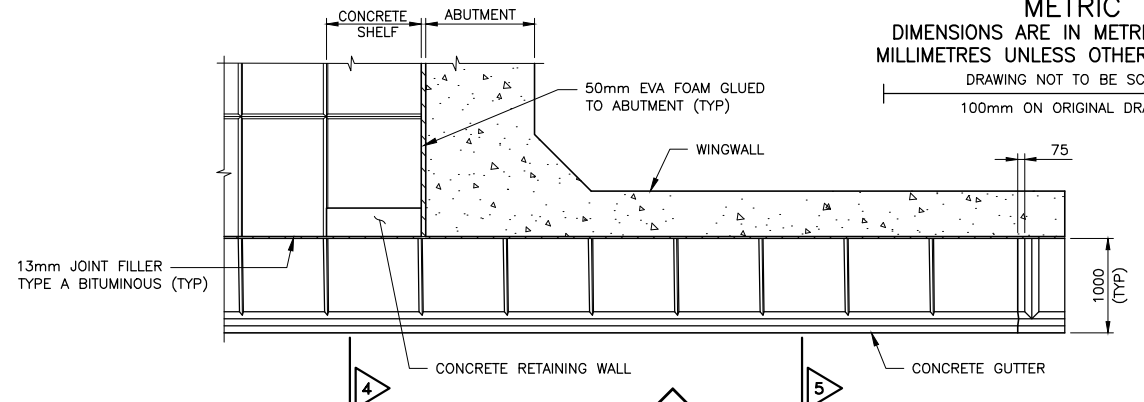
FILE NAME: C:\USERS\WEZAKVA\ONE DRIVE - GOVERNMENT OF ONTARIO\DESKTOP\KRIS SLOPE PAVING 5116-010\S105-23 JUNE 1 2023.DWG
 MODIFIED: 2023-06-01 14:15
 MINISTRY OF TRANSPORTATION OF ONTARIO STRUCTURAL ANS1 D FRAME 2020-05

Ontario Ministry of Transportation
 CONT WP **DRAFT**
 DETAILS OF CONCRETE SLOPE PAVING
 SHEET

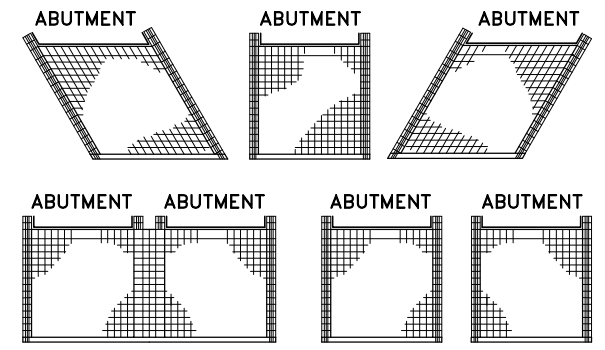
METRIC
 DIMENSIONS ARE IN METRES AND/OR
 MILLIMETRES UNLESS OTHERWISE SHOWN
 DRAWING NOT TO BE SCALED
 100mm ON ORIGINAL DRAWING



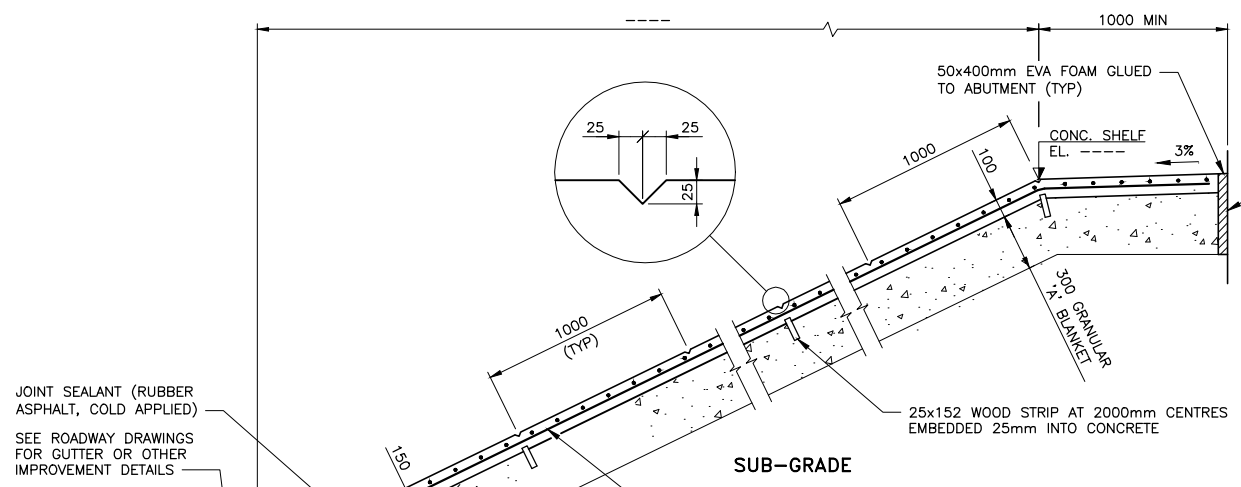
SLOPE PAVING PLAN



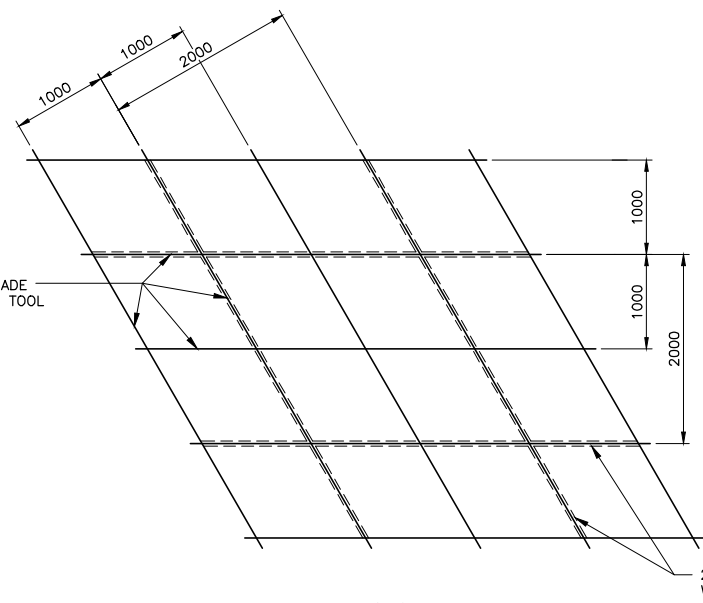
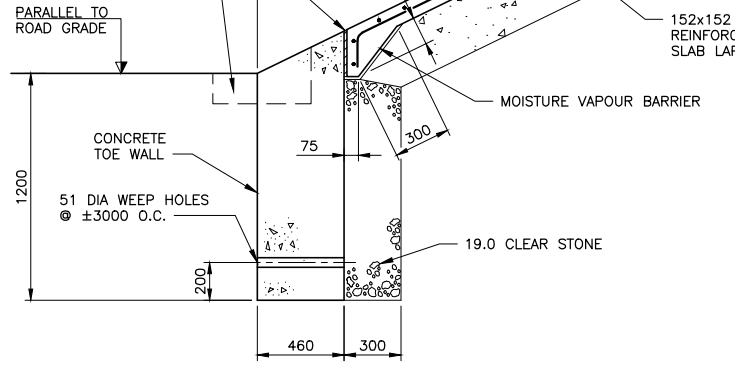
- NOTES:**
- SECTIONS AND DETAILS TYPICAL FOR ALL LAYOUTS.
 - FOR BRIDGES WITH SKEW EXCEEDING 45°, 'V' GROOVES SHALL BE PROVIDED AT 2000mm O.C. OVER WOOD FRAME STRIPS ONLY.



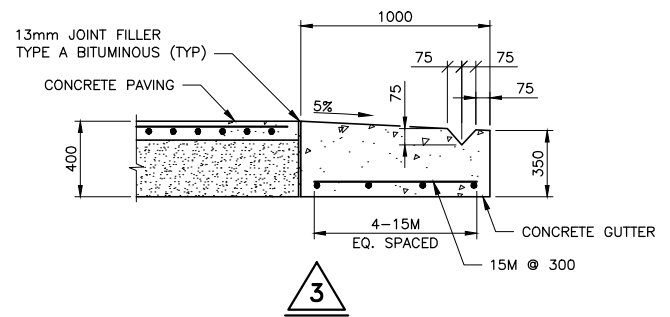
SLOPE PAVING LAYOUT



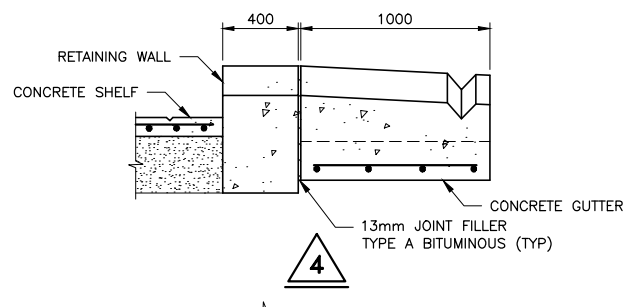
SUB-GRADE



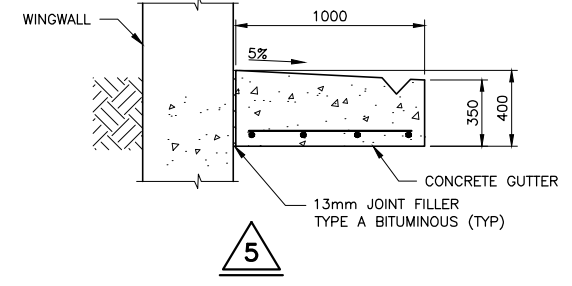
WOOD FRAME AND 'V' JOINT LAYOUT (SHOWN ON SKEW)



SECTION 3



SECTION 4



SECTION 5

- NOTES TO DESIGNER:**
- FOR INSPECTION PURPOSES IT IS RECOMMENDED THAT THE MINIMUM SHELF WIDTH SHALL BE 1.0m AND THE MINIMUM VERTICAL HEIGHT FROM THE UNDERSIDE OF THE SUPERSTRUCTURE TO THE CONCRETE SHELF ELEVATION BE 1.0m.
 - THE CONCRETE SHELF AND RETAINING WALL MAY BE OMITTED AT INTEGRAL ABUTMENT BRIDGES AND FRAMES.
 - THE DESIGNER SHALL DRAW THE SLOPE PAVING PLAN TO SUIT THE BRIDGE AND FILL IN THE ELEVATION AND PROJECTED LENGTH OF PAVING IN CONCRETE SHELF SECTION 1, AND THE VERTICAL OFFSET IN SECTION 2.
 - SLOPE PAVING IS TO BE DESIGNED PARALLEL WITH THE EDGE OF ROADWAY. WHEN THE ABUTMENTS ARE NOT PARALLEL TO THE ROADWAY, THE CONCRETE SHELF WIDTH SHALL VARY ACROSS THE WIDTH OF THE ABUTMENT.
 - CONCRETE SLOPE PAVING SHALL BE DESIGNED TO FOLLOW THE SLOPE OF THE EMBANKMENT, BUT NOT STEEPER THAN 2 HORIZONTAL TO 1 VERTICAL.
 - THE 'NOTES TO DESIGNER' AND SLOPE PAVING LAYOUT SHALL BE DELETED FROM THE CONTRACT DRAWING PRIOR TO ISSUING. NON-APPLICABLE DETAILS SHALL BE DELETED.

REFER TO THE STRUCTURAL MANUAL FOR
 PROFESSIONAL ENGINEER STAMPING REQUIREMENTS.

STANDARD DRAWING SS105-23
 JUNE 2023
 DETAILS OF CONCRETE SLOPE PAVING

REVISIONS	DATE	BY	DESCRIPTION

DESIGN	CHK	CODE	CSA S6-19/LOAD	DATE
DRAWN	CHK	SITE		DWG