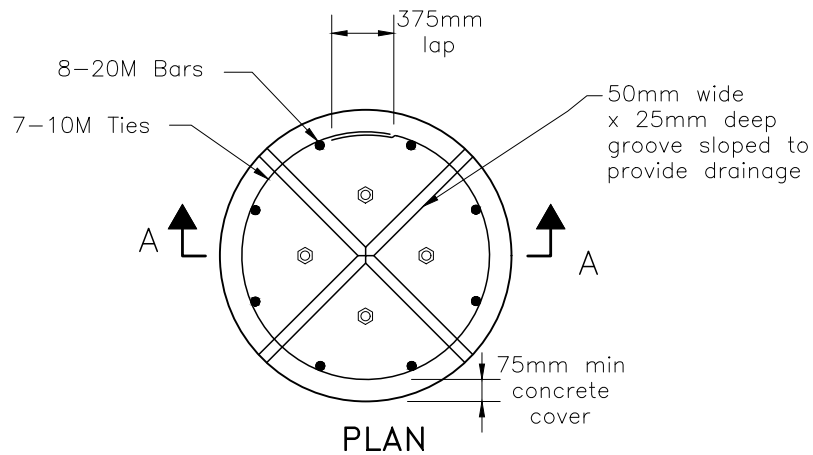


SECTION A-A



PLAN

NOTES:

- 1 Top of footing shall be installed at 40mm ±15mm above finished grade.
- A Steel reinforcement shall be Grade 400W according to CAN/CAS G30.18 with a minimum yield strength of 420 MPa.
- B All dimensions are in millimetres unless otherwise shown.

MINISTRY OF TRANSPORTATION ONTARIO DRAWING	May 2013	Rev	0
RAMP CLOSURE GATE <b>REINFORCED CONCRETE FOOTING</b> COMPONENT		----- -----	
		<b>MTOD - 960.106</b>	