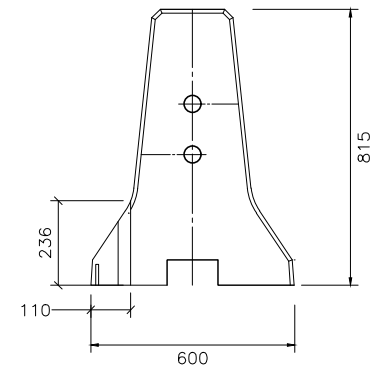
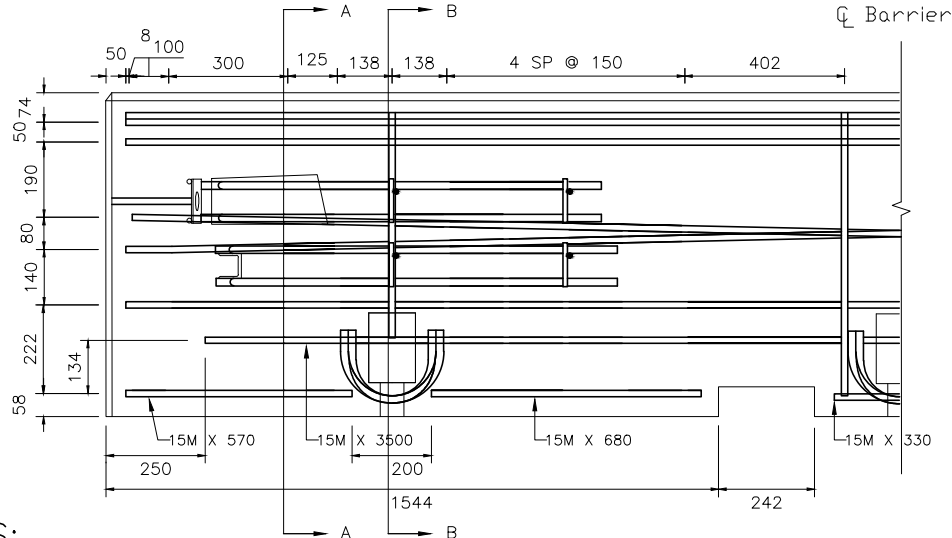


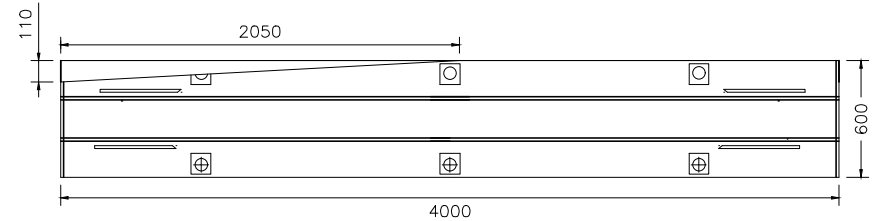
PLAN



PROFILE



ELEVATION



PLAN

NOTES:

1. System configuration meets AASHTO MASH TL-3
 2. Drawing to be read in conjunction with MTOD 911.191 & 911.197
- A Steel reinforcement shall be Grade 400W according to CAN/CAS G30.18 with a minimum yield strength of 420 MPa.
- B All dimensions are in millimetres unless otherwise shown.

MINISTRY OF TRANSPORTATION DRAWING		July 2018	Rev	0
GUIDE RAIL SYSTEM, CONCRETE BARRIER TYPE X CONNECTION, 4.0M LENGTH, CLIPPED INSTALLATION - TEMPORARY		-----		

		MTOD - 911.199		