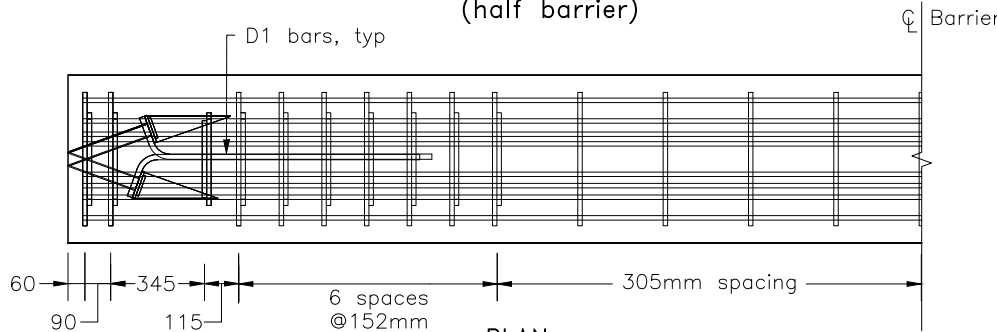
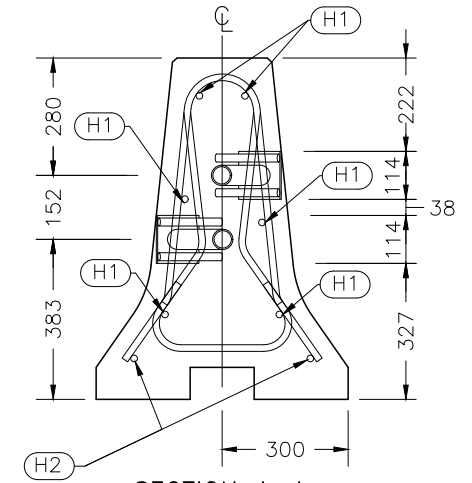


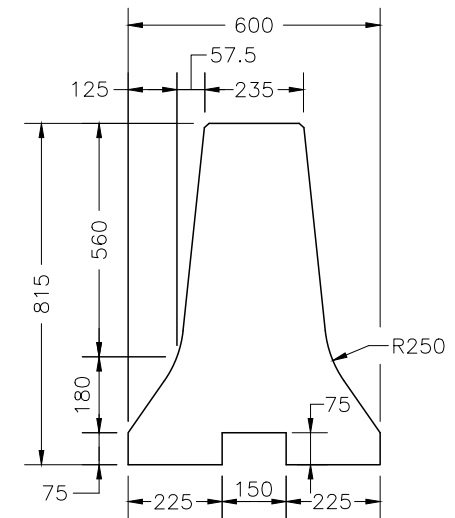
ELEVATION  
(half barrier)



PLAN  
(half barrier)



SECTION A-A



BARRIER SHAPE

NOTES:

1. Drainage opening.
2. Minimum 38mm cover to longitudinal bars to be provided above the drainage openings.
- A. This MTOD shall be read in conjunction with MTOD 911.191 and 911.192.
- B. Minimum horizontal radius is 40m.
- C. System configuration meets NCHRP Report 350, TL-3 and AASHTO MASH TL-3.
- D. Welds shall be according to CSA W59 and CSA W186.
- E. All concrete edges to have 15 x 45° chamfer.
- F. Steel reinforcement shall be Grade 400W according to CAN/CAS G30.18 with a minimum yield strength of 420 MPa.
- G. All dimensions are in millimetres unless otherwise shown.

MINISTRY OF TRANSPORTATION ONTARIO DRAWING

February 2018

Rev 0

GUIDE RAIL SYSTEM, CONCRETE BARRIER  
TYPE X CONNECTION, 6.1m LENGTH  
INSTALLATION – TEMPORARY

MTOD – 911.198