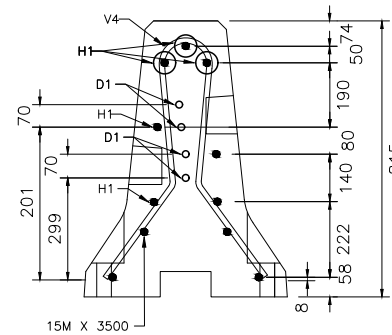
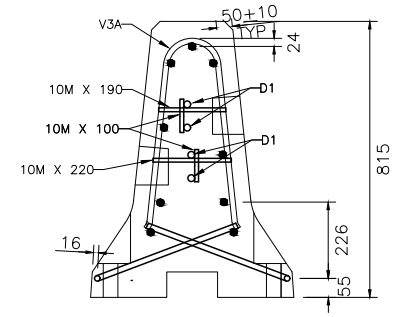


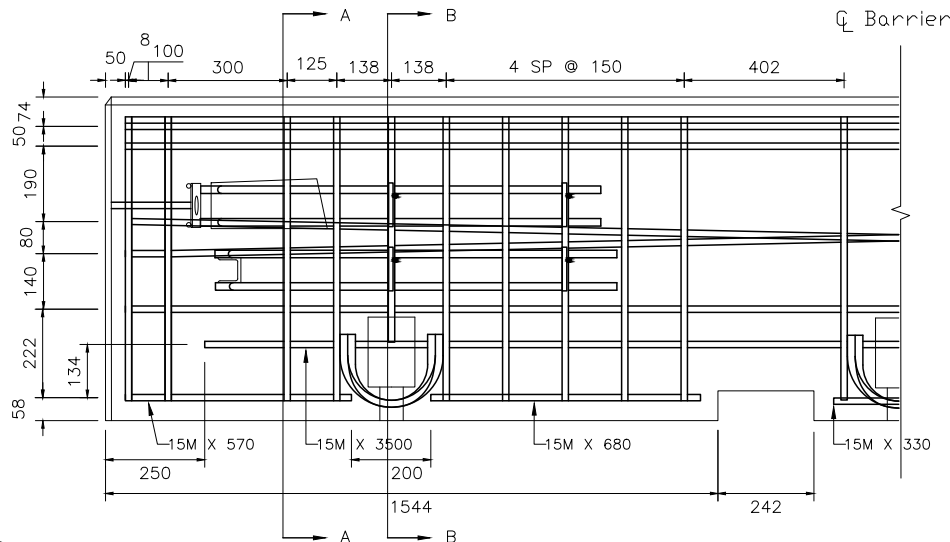
PLAN



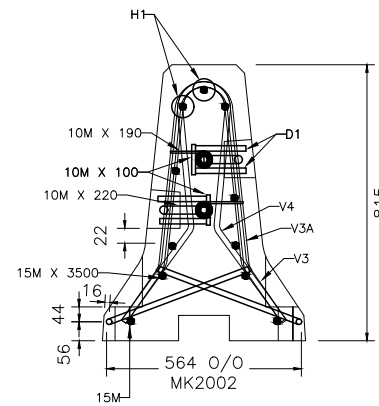
SECTION A-A



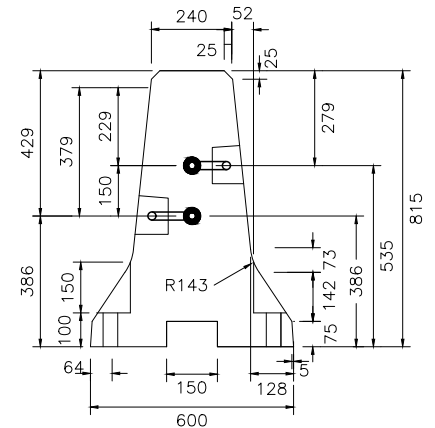
SECTION B-B



ELEVATION



RIGHT SIDE



PROFILE

NOTES:

1. System configuration meets AASHTO MASH TL-3
 2. Drawing to be read in conjunction with MTD 911.191 & 911.197
- A Steel reinforcement shall be Grade 400W according to CAN/CAS G30.18 with a minimum yield strength of 420 MPa.
- B All dimensions are in millimetres unless otherwise shown.

MINISTRY OF TRANSPORTATION DRAWING		April 2018	Rev	0
GUIDE RAIL SYSTEM, CONCRETE BARRIER TYPE X CONNECTION, 4.0M LENGTH INSTALLATION - TEMPORARY		----- ----- -----		
		MTOD - 911.194		