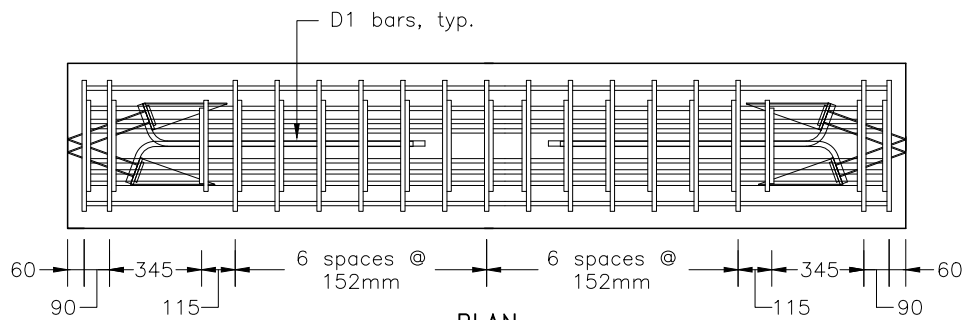
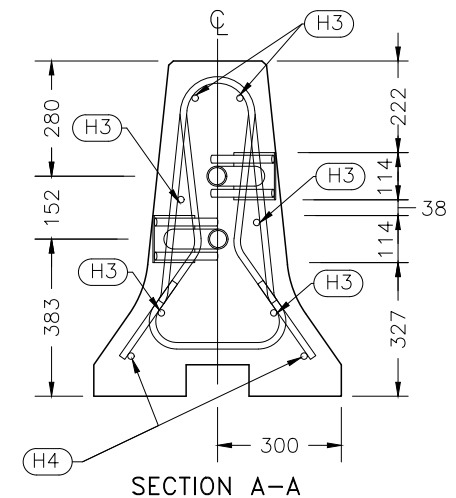


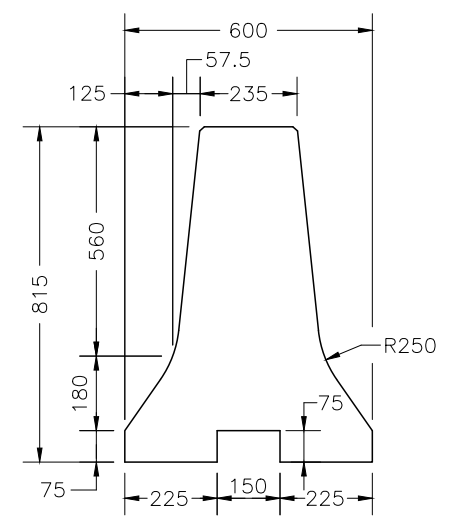
ELEVATION



PLAN



SECTION A-A



BARRIER SHAPE

NOTES:

1. Drainage opening.
2. Minimum 38mm cover to longitudinal bars to be provided above the drainage openings.
- A. This MTOD shall be read in conjunction with MTOD 911.191 and 911.192.
- B. Minimum horizontal radius is 40m.
- C. System configuration meets NCHRP Report 350, TL-3 and AASHTO MASH TL-3.
- D. Welds shall be according to CSA W59 and CSA W186.
- E. All concrete edges to have 15 x 45° chamfer.
- F. Steel reinforcement shall be Grade 400W according to CAN/CAS G30.18 with a minimum yield strength of 420 MPa.
- G. All dimensions are in millimetres unless otherwise shown.

MINISTRY OF TRANSPORTATION ONTARIO DRAWING		December 2017	Rev	0
<b>GUIDE RAIL SYSTEM, CONCRETE BARRIER          TYPE X CONNECTION, 3.048m LENGTH          INSTALLATION – TEMPORARY</b>		-----		
		<b>MTOD – 911.193</b>		