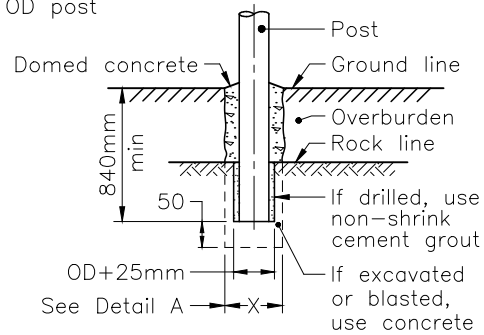
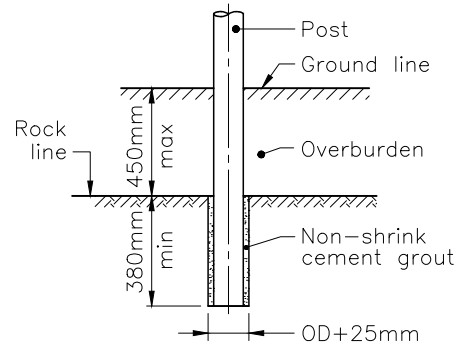


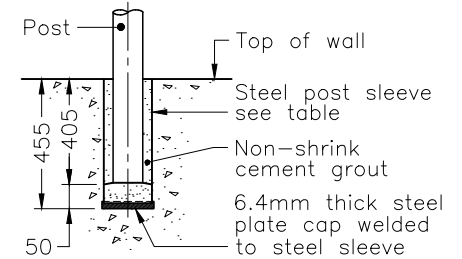
**DETAIL A
FOOTING IN EARTH**



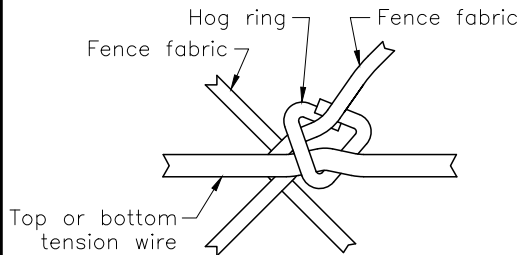
**DETAIL B
FOOTING IN SHALE, LOOSE
OR FRIABLE ROCK, OR SOLID
ROCK WITH MORE THAN 450mm
OVERBURDEN**



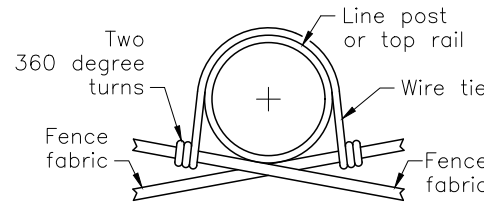
**DETAIL C
FOOTING IN SOLID ROCK
LESS THAN 450mm
OVERBURDEN**



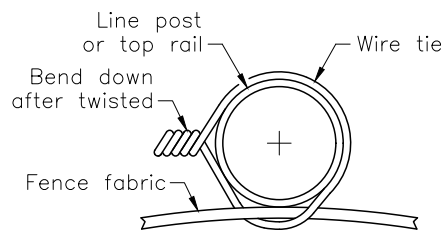
**DETAIL D
FOOTING IN
RETAINING WALL**



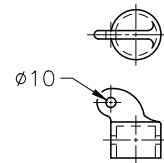
HOG RING TIE DETAIL



**MANUALLY FASTENED
WIRE TIE DETAIL**



**POWER FASTENED
WIRE TIE DETAIL**



**62mm ID
LINE POST CAP
DETAIL**

NOTES:

- All posts and frame members are Schedule 40, Regular Grade, steel pipe, or roll-formed steel.
- The actual weight shall not vary by more than 10% of the nominal weight.
- All dimensions are in millimetres unless otherwise shown.

POST DETAILS TABLE (Note 1)							
Post/Frame Member Type	OD/ Dimensions mm		Post Length		Wall Thickness mm	Nominal Weight kg/m (Note 2)	
			Standard	Retaining Walls			
Line Post	60.3		m	m	mm		
Roll-Formed Section	Standard C	47.6 41.3	2.6	2.0	3.91	5.4	
	Heavy C	57.2 43.2	2.6	2.0	3.07	5.3	
Terminal Post	88.9		2.9	2.3	5.49	11.3	
Roll-Formed Section	Super C(.150)	82.6 63.5	2.9	2.9	3.81	11.9	
Roll-Formed Section	C Rail	41.3 31.6	6.1	n/a	20.32	3.0	
Gates	Gatepost	88.9	2.6	n/a	5.49	11.3	
(Single 3.0m, Double 6.0m)	Frame Members	42.2	n/a	n/a	3.56	3.4	
Gates	Gatepost	114.3	2.9	n/a	6.02	16.1	
(Single 4.5m, Double 9.0m)	Frame Members	48.3	n/a	n/a	3.68	4.0	
Post Sleeve	Line Post	88.9	n/a	0.455	5.49	11.3	
	Terminal Post	114.3	n/a	0.455	6.02	16.1	

MINISTRY OF TRANSPORTATION ONTARIO DRAWING

September 2022

Rev 0

FENCE, CHAIN-LINK
DETAILS AND TABLE

MTOD - 972.132