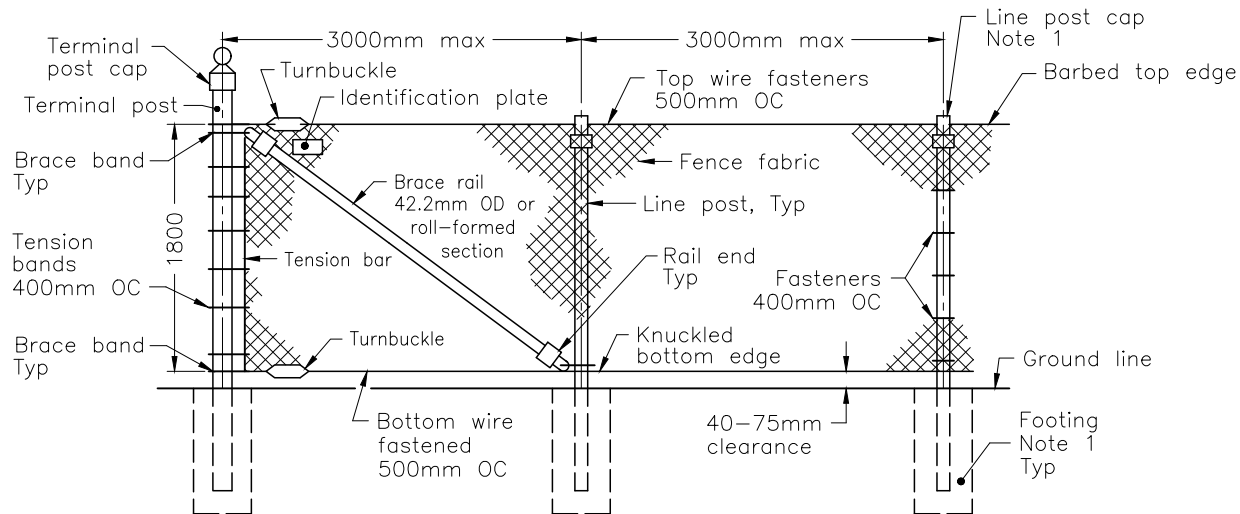


CHAIN-LINK FENCE WITH TOP RAIL



CHAIN-LINK FENCE WITH TOP WIRE

NOTES:

1 For footing details post dimensions and line post cap detail refer to OPSD 972.132.

A Fence as viewed from the roadway.

B All dimensions are in millimetres unless otherwise shown.

MINISTRY OF TRANSPORTATION ONTARIO DRAWING

September 2022

Rev 0

FENCE, CHAIN-LINK
INSTALLATION – ROADWAY

MTOD – 972.130