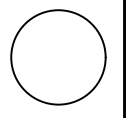


FILE NAME: C:\Users\WangMa2\OneDrive - Government of Ontario\Desktop\Chris\SS113\13-20\SS 0113.0020.dwg
 MODIFIED: 2022-08-04 10:23
 MINISTRY OF TRANSPORTATION, ONTARIO
 ANSP-D
 2017-08

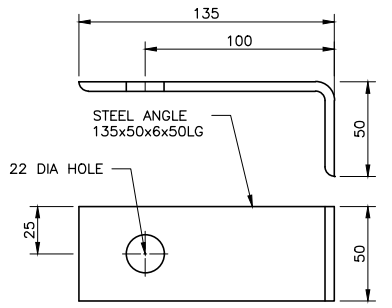


CONT WP DRAFT

MODULAR EXPANSION JOINT WITH INJECTION HOSE SYSTEM - DETAILS II

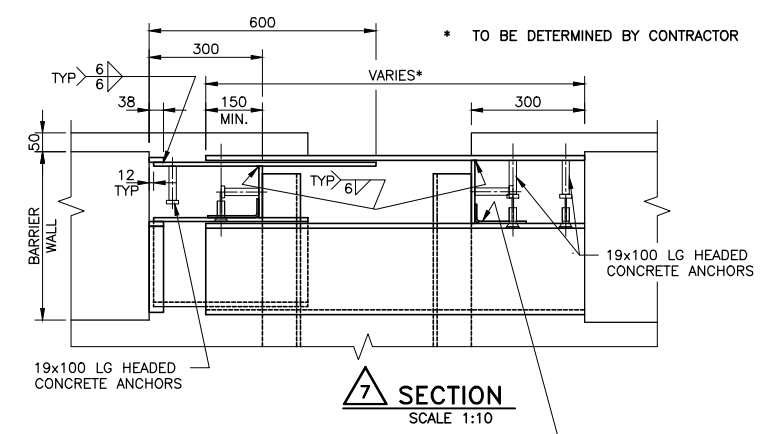
SHEET

METRIC
 DIMENSIONS ARE IN METRES AND/OR MILLIMETRES UNLESS OTHERWISE SHOWN
 DRAWING NOT TO BE SCALED
 100mm ON ORIGINAL DRAWING

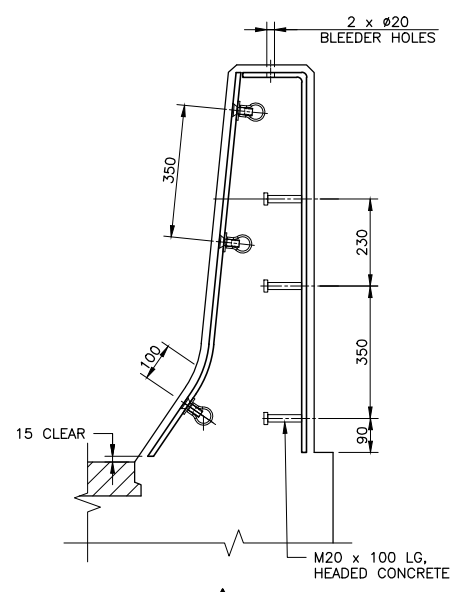


CLIP ANGLE DETAIL
SCALE 1:2

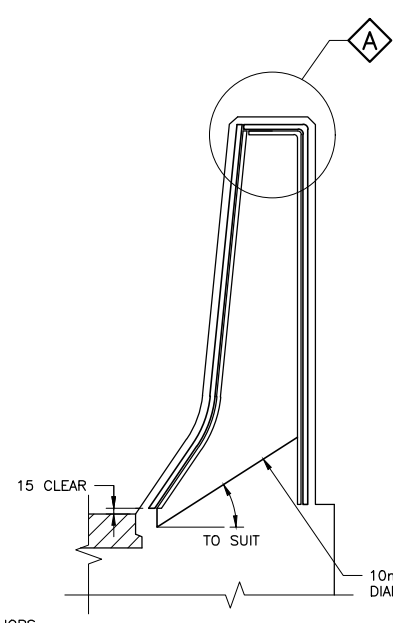
NOTES:
 1. THIS DRAWING TO BE READ IN CONJUNCTION WITH DRAWINGS SS113-20, SS1130-21 AND MTD 3950.2000.



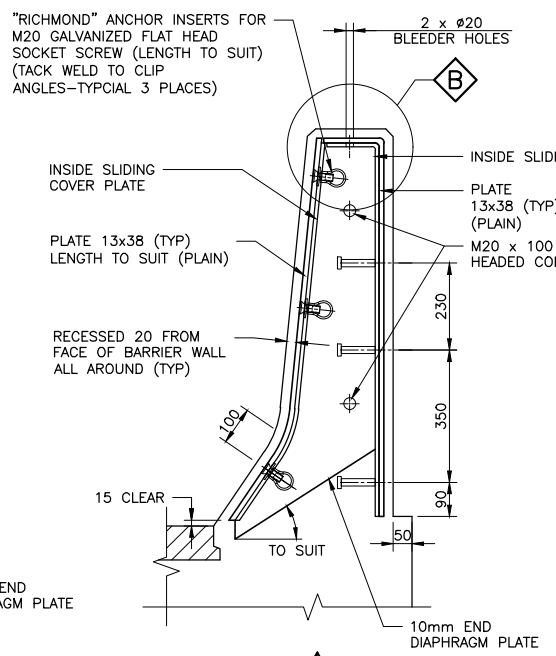
SECTION 7
SCALE 1:10



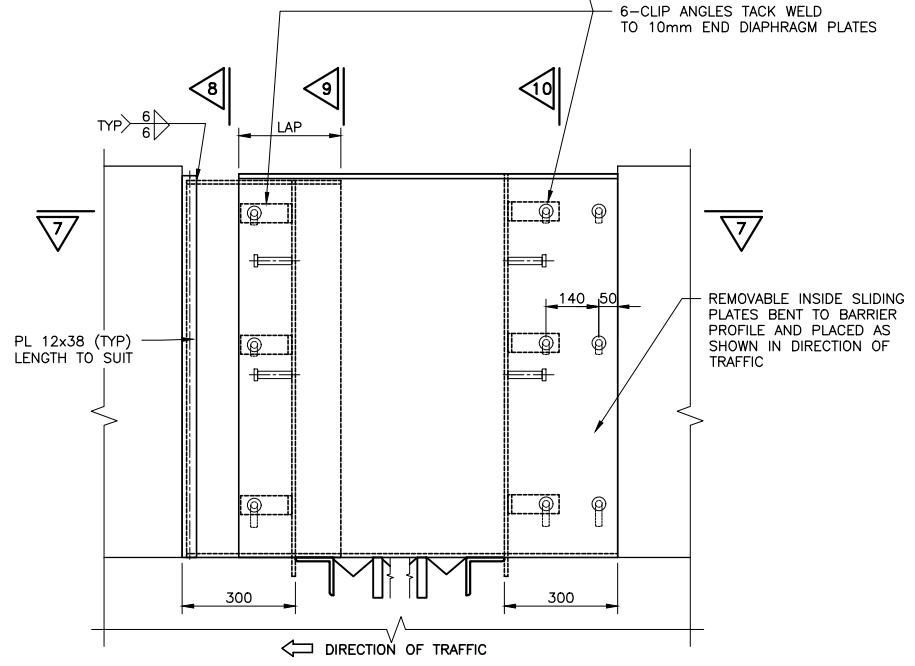
SECTION 8
SCALE 1:10



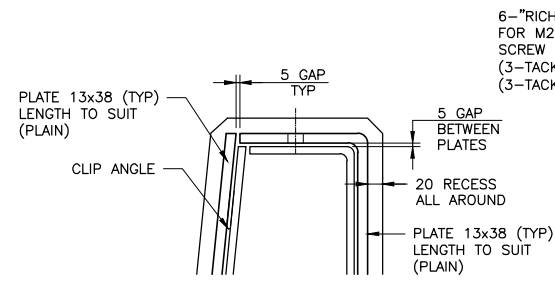
SECTION 9
SCALE 1:10



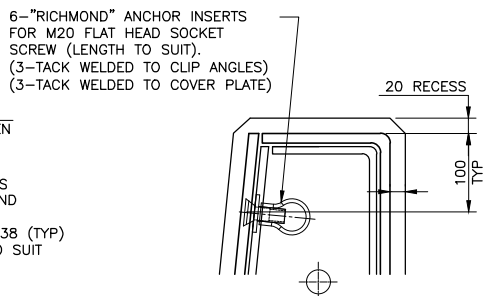
SECTION 10
SCALE 1:10



ELEVATION
JOINT COVER PLATE AT BARRIER WALL
SCALE 1:10



DETAIL A
SCALE 1:5



DETAIL B
SCALE 1:5

REFER TO IN THE STRUCTURAL MANUAL FOR PROFESSIONAL ENGINEER STAMPING REQUIREMENTS

STANDARD DRAWING AUGUST 2022 SS113-0022
 MODULAR EXPANSION JOINT WITH INJECTION HOSE SYSTEM - DETAILS II

REVISIONS	DATE	BY	DESCRIPTION
DESIGN	CHK	CODE	- LOAD - DATE
DRAWN	CHK	SITE	- DWG