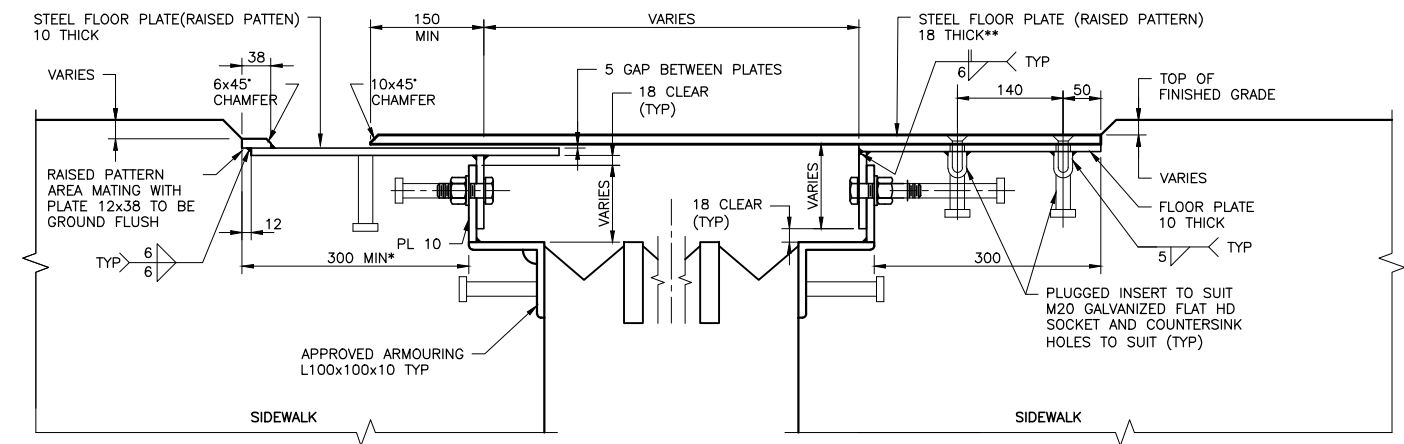


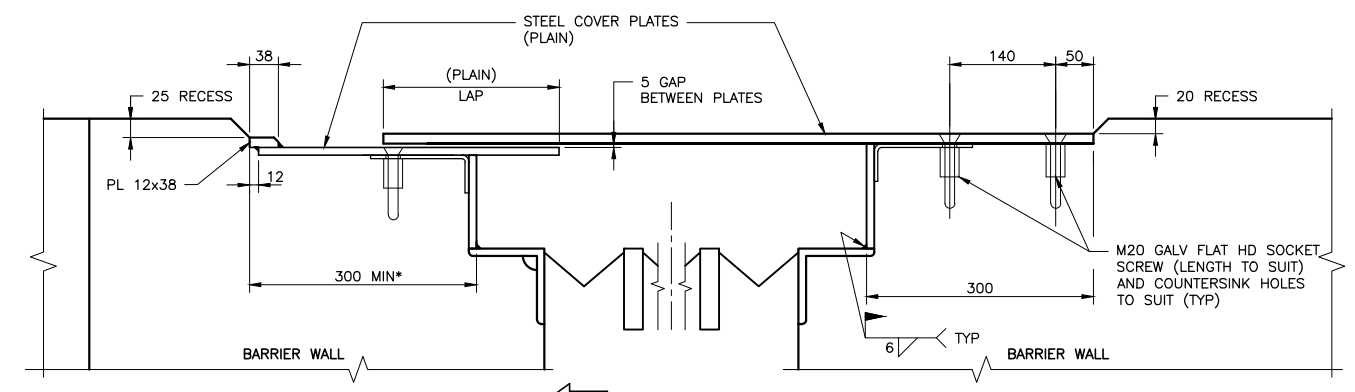
FILE NAME: C:\Users\WangMa2\OneDrive - Government of Ontario\Desktop\Chris\SS113\SS113-20\SS 0113.0020.dwg
 MODIFIED: 2022-08-04 10:48
 MINISTRY OF TRANSPORTATION, ONTARIO
 ANS-D
 2017-08

METRIC
 DIMENSIONS ARE IN METRES AND/OR
 MILLIMETRES UNLESS OTHERWISE SHOWN
 DRAWING NOT TO BE SCALED
 100mm ON ORIGINAL DRAWING

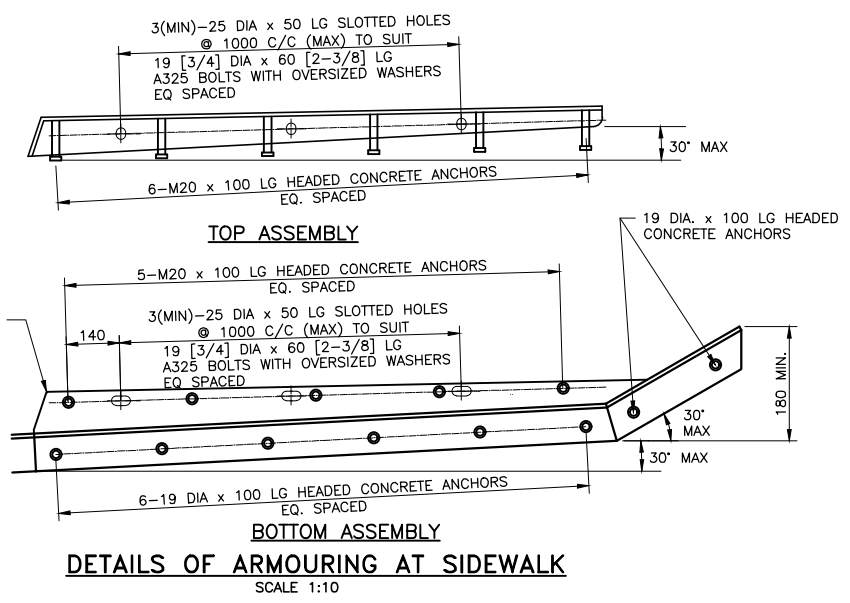
CONT WP	DRAFT	
MODULAR EXPANSION JOINT WITH INJECTION HOSE SYSTEM - DETAILS I		SHEET



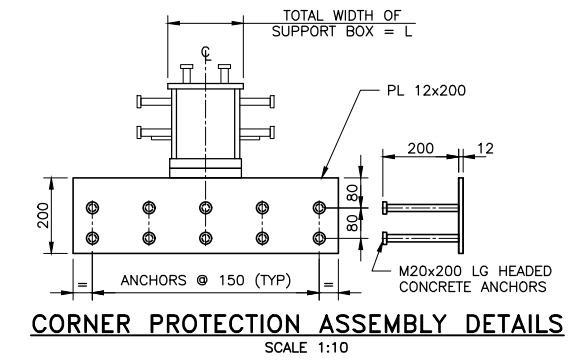
SECTION 3
 SCALE 1:5
 (JOINT COVER PLATE DETAILS FOR SIDEWALK ONLY
 JOINT COVER PLATE DETAILS FOR CURB SIMILAR)



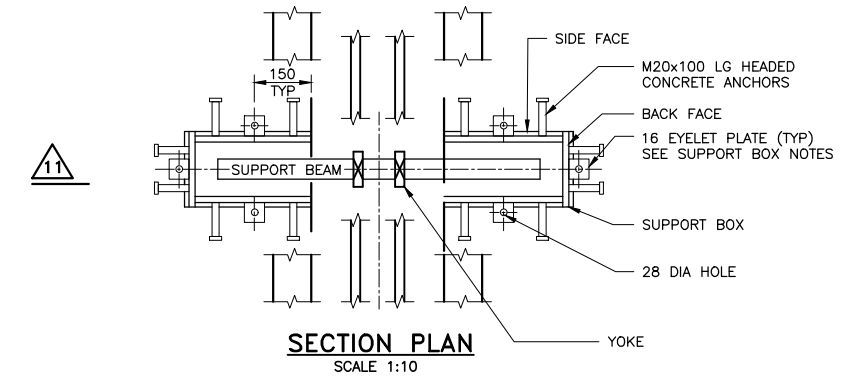
SECTION 4
 SCALE 1:5
 (JOINT COVER PLATE DETAILS FOR BARRIER WALL ONLY)



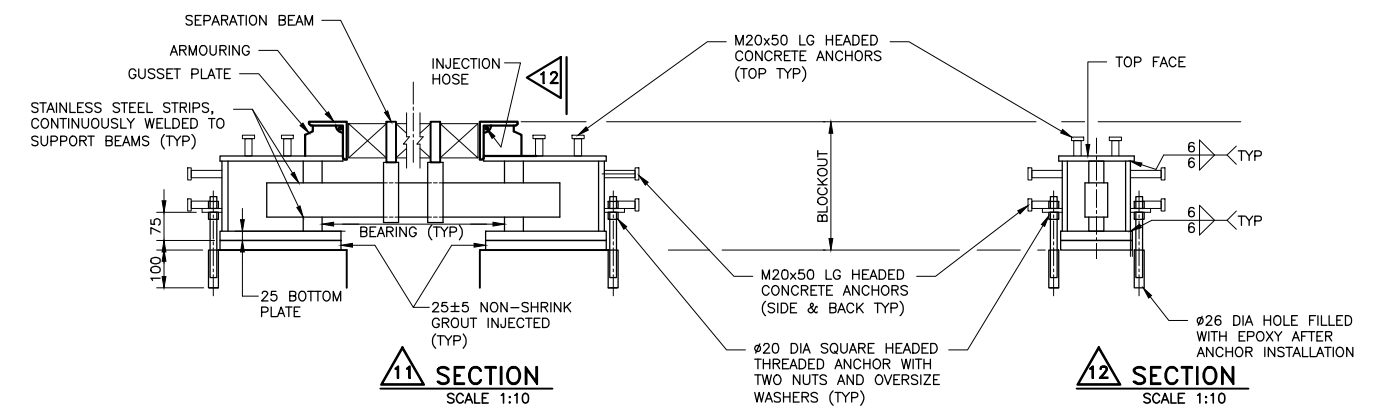
DETAILS OF ARMOURING AT SIDEWALK
 SCALE 1:10



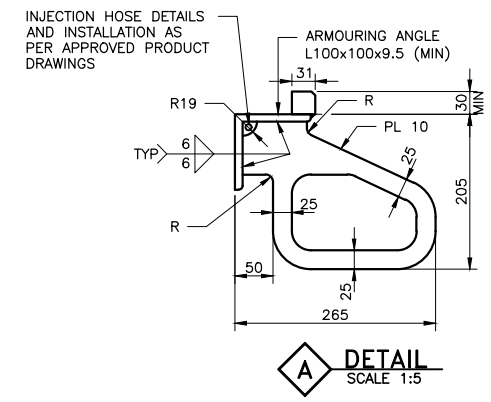
CORNER PROTECTION ASSEMBLY DETAILS
 SCALE 1:10



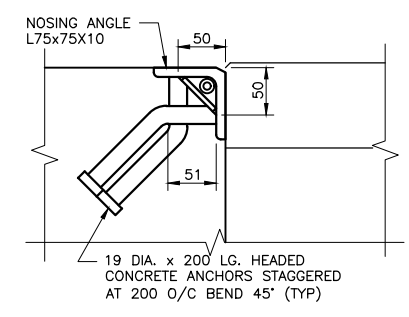
SECTION PLAN
 SCALE 1:10



SUPPORT BOX DETAILS
 (DETAILS SHOWN FOR 3 CELL EXPANSION
 JOINT ASSEMBLY, ALL OTHERS SIMILAR)



DETAIL A
 SCALE 1:5



DETAIL B
 SCALE 1:4

- NOTES:**
- INSTALL HEADED CONCRETE ANCHORS (WITH LEVELLING NUTS) THROUGH EYELETS LOCATED ON THREE SIDES OF BOXES. FILL HOLES WITH EPOXY AFTER INSTALLATION OF ANCHORS.
 - ADJUST THE ELEVATION OF EXPANSION JOINT BY MEANS OF TWO LEVELLING NUTS ON THE THREADED ANCHORS.
 - INJECT NON-SHRINK GROUT UNDER THE SUPPORT BOX AT A PRESSURE OF 10 kPa.
 - THIS DRAWING TO BE READ IN CONJUNCTION WITH DRAWINGS SS113-20, SS113-22 AND MTD 3950.2000.

- SUPPORT BOX NOTES:**
- PROVIDE HEADED CONCRETE ANCHORS, 4 ON EACH SIDE FACE PROVIDE HEADED CONCRETE ANCHORS, 2 PER SUPPORT BEAM ON BOTH TOP AND BACK FACES (MIN. 4 HEADED CONCRETE ANCHORS PER FACE.)
 - STEEL PLATE 10mm MINIMUM UNLESS OTHERWISE NOTED.

REFER TO IN THE STRUCTURAL MANUAL FOR
 PROFESSIONAL ENGINEER STAMPING REQUIREMENTS

STANDARD DRAWING
 AUGUST 2022
SS113-0021
**MODULAR EXPANSION JOINT WITH
 INJECTION HOSE SYSTEM - DETAILS I**

REVISIONS	DATE	BY	DESCRIPTION
DESIGN	CHK	CODE	- LOAD - DATE
DRAWN	CHK	SITE	- DWG