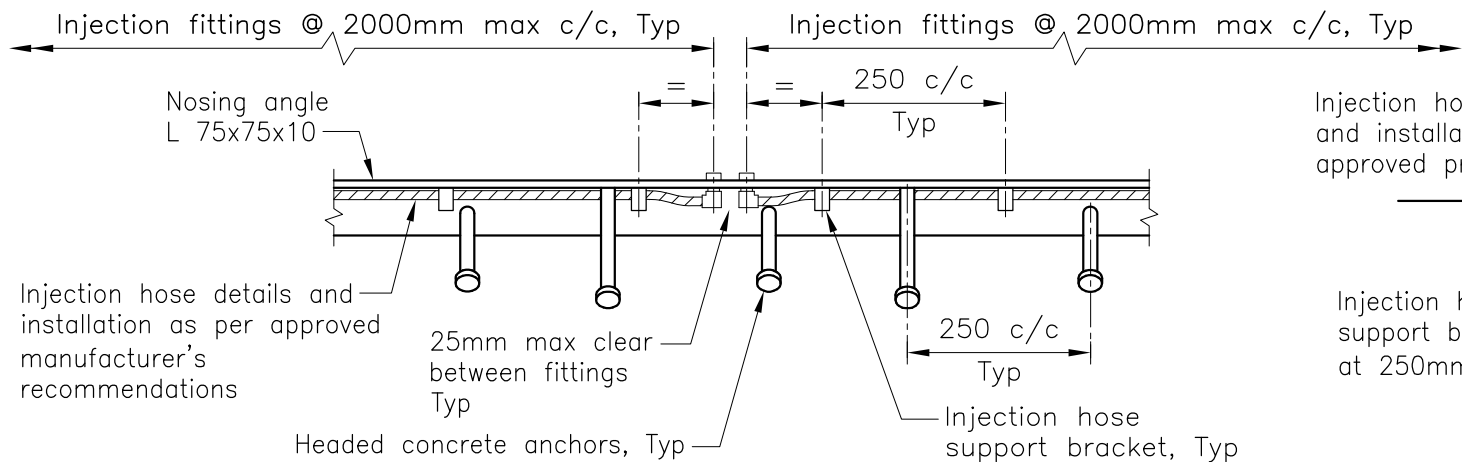
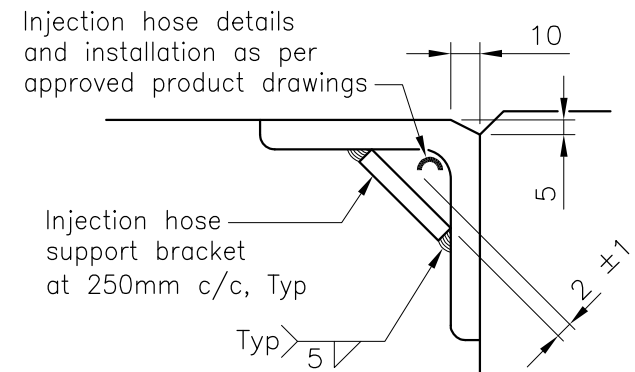


**DETAILS OF ANCHORAGE AND INJECTION HOSE FOR  
ARMOURING ANGLE**



**DETAILS OF HEADED CONCRETE ANCHORS AND INJECTION  
HOSE FOR NOSING ANGLE**



**INJECTION HOSE SUPPORT  
BRACKET DETAIL**

**NOTES:**

1. Injection system shall be in accordance with the designated sources for materials list DSM 9.40.18.
  2. Field splice details for injection system are shown on SS113-12 for Type 'A' expansion joints and SS113-13 for Type 'C' expansion joints. Field splices are not permitted for modular expansion joints.
  3. Injection system construction and materials shall be according to OPSS 920 and OPSS 1210, and as specified in the contract documents.
- A. All dimensions are in millimetres unless otherwise shown.

MINISTRY OF TRANSPORTATION ONTARIO DRAWING		AUGUST 2022		Rev	0
<b>INJECTION SYSTEM FOR EXPANSION JOINT ARMOURING</b>					