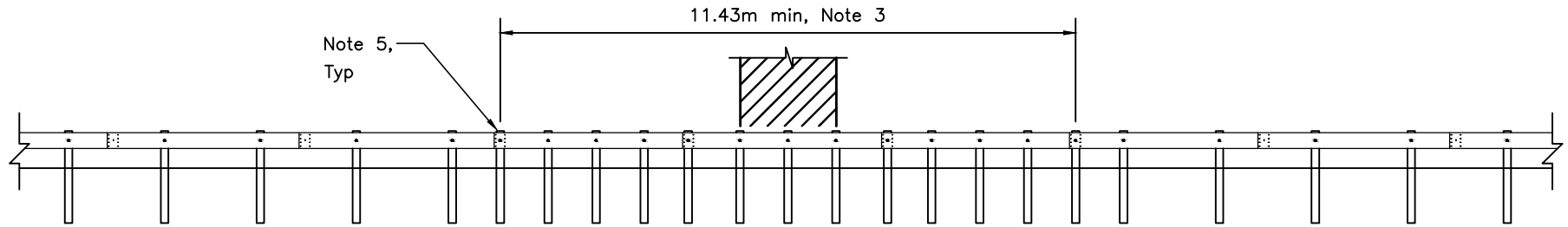
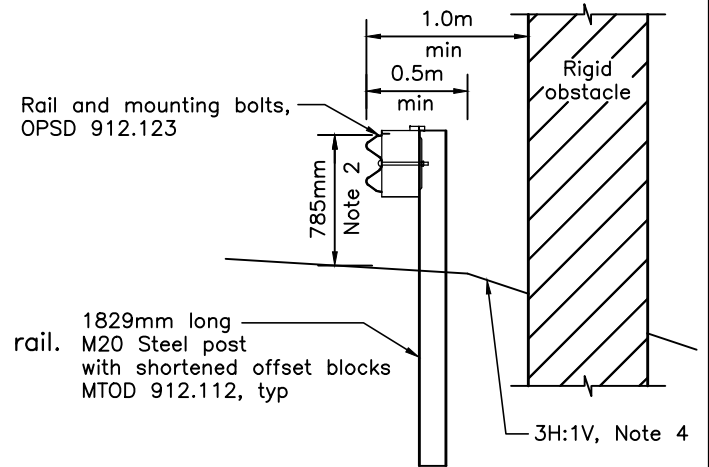


PLAN



ELEVATION



SECTION A-A

NOTES:

- 1 Type M SBGR includes Type M20 and Type M30.
- 2 Mounting height to top of steel beam shall be measured vertically at face of rail.
- 3 Post spacing at 952mm c/c. When rigid obstacle extends beyond three lengths of rail, additional 3.81m lengths of rail with posts spaced at 952 c/c shall be provided.
- 4 Slope shall be flatter when specified.
- 5 Posts and blockout do not attach to rail at joints.
- A Mounting height to top of steel beam rail shall be measured vertically at face of rail.
- B System configuration meets AASHTO MASH TL-3.
- C All dimensions are in millimetres unless otherwise shown.

MINISTRY OF TRANSPORTATION ONTARIO DRAWING		May 2022	Rev	0
GUIDE RAIL SYSTEM, STEEL BEAM TYPE M – REDUCED DEFLECTION TREATMENT HALF POST SPACING INSTALLATION		-----		

		MTOD 912.317		