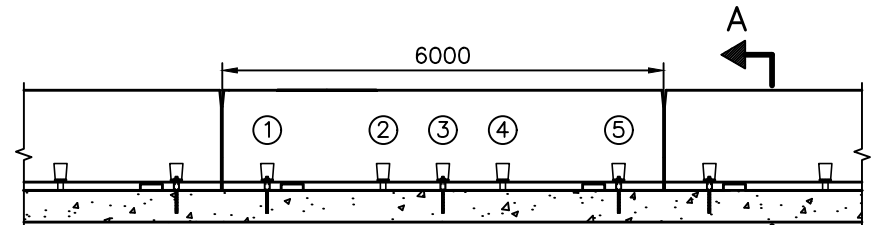
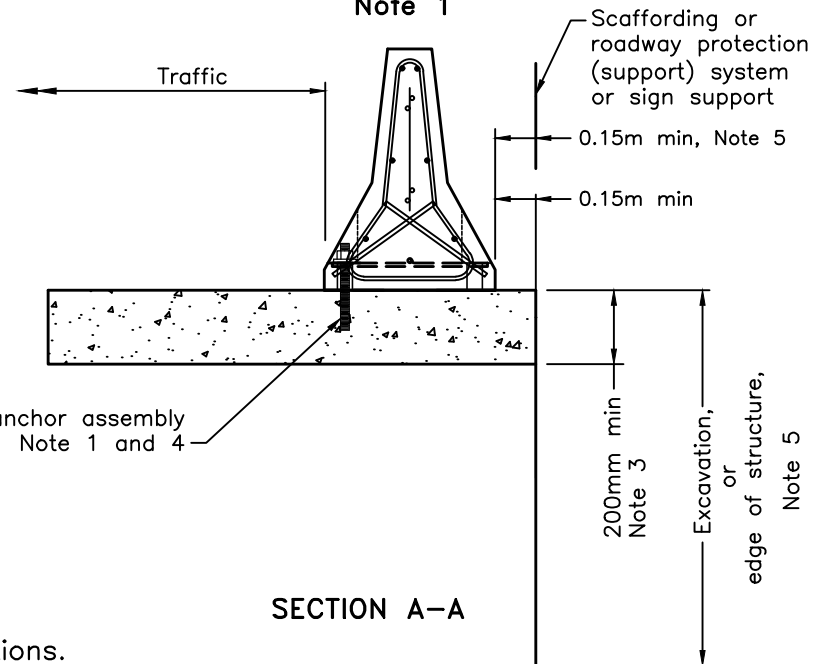


Concrete pavement, Note 2

ELEVATION, 4m
Note 1



ELEVATION, 6m
Note 1



SECTION A-A

NOTES:

- 1 The 4m system shall be bolted at pockets ① and ③
The 6m system shall be bolted at pockets ①, ③ and ⑤.
- 2 This MTOD shall not be used when asphalt layer over concrete exists.
- 3 Minimum concrete strength shall be 27MPa.
- 4 Steel anchor assembly shall be according to manufacturer's specifications.
- 5 When the level area between the back of the barrier and the upper edge of an excavation is less than one metre, use of this standard requires the Owner to have a signed and sealed memorandum from an Engineer for each installation used during construction according to Ontario Regulation 213/91.

A This MTOD shall be read in conjunction with MTODs 911.154 and 911.155 for the 4m restrained system, and with MTODs 911.157 and 911.158 for the 6m restrained system.

B System configuration meets AASHTO MASH TL-3

C All dimensions are in millimetres unless otherwise shown.

MINISTRY OF TRANSPORTATION ONTARIO DRAWING GUIDE RAIL SYSTEM, CONCRETE BARRIER MASH TYPE J CONNECTION INSTALLATION, TEMPORARY, RESTRAINED SYSTEM BOLTED TO CONCRETE	March 2021	Rev 0
	MTOD 911.211	